



### Overview

#### Multichannel Optical Power Meter

The **OP710** offers an economical approach for optical power measurement applications where multiple channels are needed. Unlike other systems this instrument is built up with individual power meters allowing for unparalleled simultaneous data acquisition over all channels.

The OP710 is available starting at 8 up to 24 channels and can be configured for a variety of detector and connector interfaces. With the rack mount option multiple instruments can be combined and configured for even higher channel count.



**Model OP71024-IN-FC**

Multichannel power meter with 24 InGaAs detector, all fixed FC/PC Interface

### Features

- High precision fiber optic power measurement  
Up to 24 channels of precision optical power measurement, **+10dBm..-80dBm measurement range, 840nm ... 1700nm wavelength range.**  
Great measurement resolution of **0.001 dB**  
Tight linearity specifications: **+/- 0.05dB**
- High speed parallel data acquisition  
Selectable sampling rate by OPL7 application from:  
1 sample/sec ... 10 samples/sec
- USB powered, plug&play data acquisition  
The OP710 supports data rates up to 0.2MB/s with the appropriate drivers.
- Integrated ambient temperature tracking  
The OP710 measures the ambient temperature between -10°C and +55°C with a resolution of 0.1°C.

Detail Specifications	CC=number of channels	OP710-CC-IN	OP710-CC-IN1
	Individual Channels (other counts available)		4 to 24
Measurement Range		+3dBm..-80dBm	+10dBm..-80dBm
Wavelength Range		830nm ..1700nm (InGaAs detector)	
Selectable Wavelength		Standard: 850/980/1300/1310/1480/1550nm <sup>1)</sup>	
Measurement Resolution (Display)		0.01dB (absolute) 0.001dB(relative)	
Measurement Linearity, Relative Accuracy		0.05dB <sup>2)</sup>	0.05dB <sup>2)</sup> 0.1dB <sup>3)</sup>
Data Interface		USB 1.1 (or later) compatible data rate and interconnect	
Operating Temperature Range		0 °C to 50 °C (32°F to 122°F)	
Mech Dimension		19" Rack Standard (16.8 x 3.8 x 10 inch)	
Optical Interface		fixed FC, ST or SC	5/8" Adapter
Power Supply		Universal AC input: 90VAC to 264VAC, 43Hz.. 63Hz	

All specifications are valid within temperature range of 18° C to 24°C unless otherwise noted.

DS710RevA7

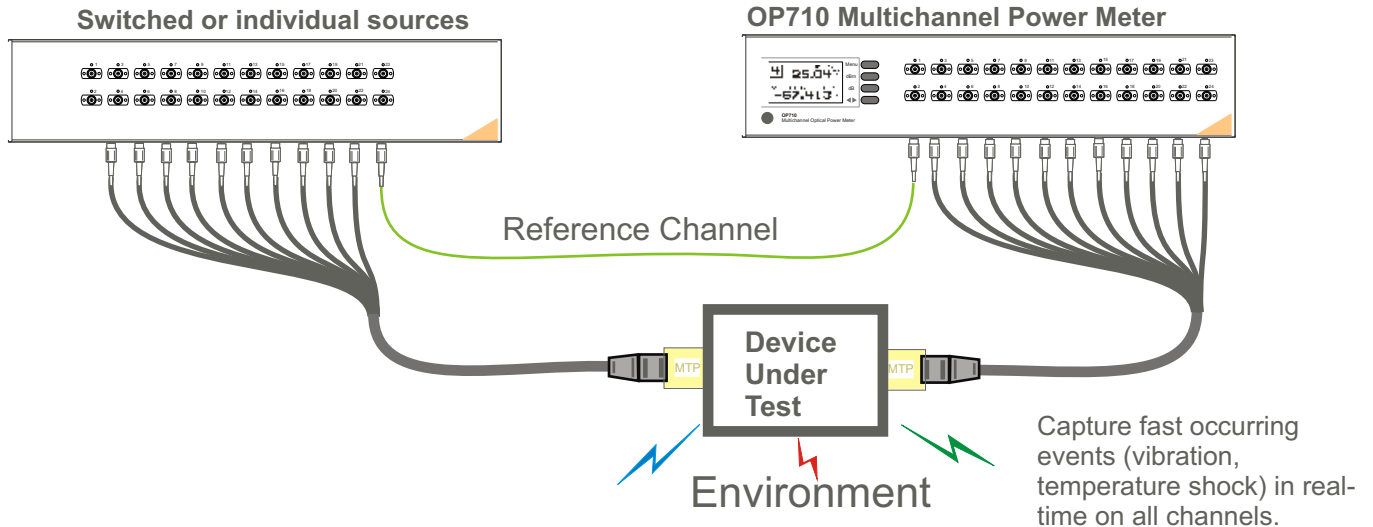
1) NIST traceable calibration at -10dBm power level.

2) Linearity for loss<5dB and absolute power within 0dBm..-65dBm

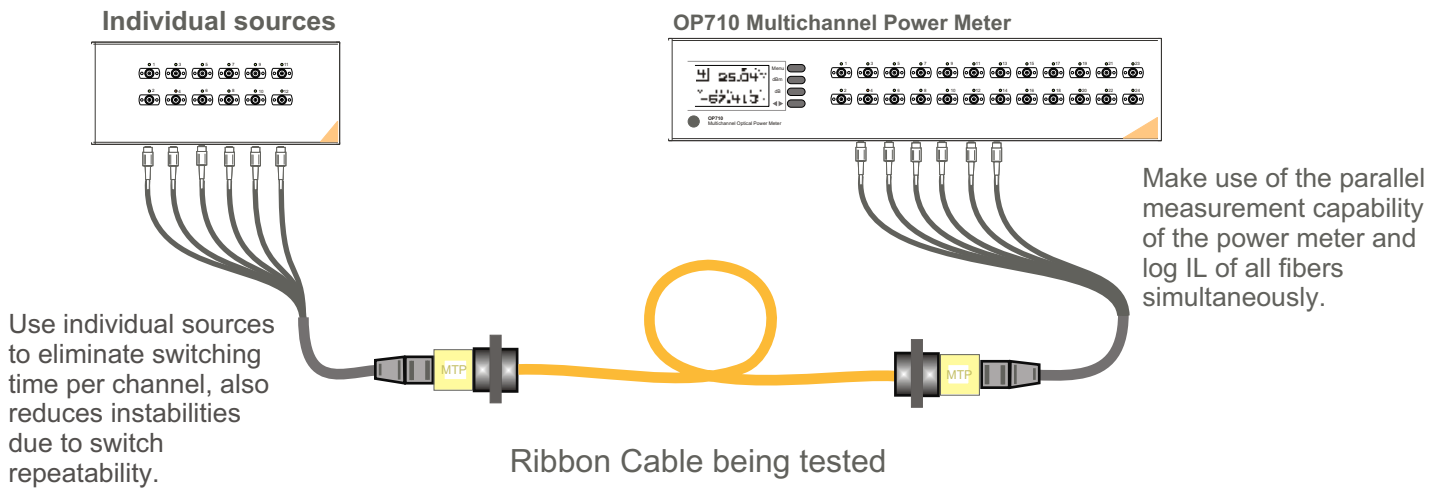
3) Linearity for +3dBm to 0dBm, and -65dBm to 72dBm

NOTE: Specifications are subject to change, please confirm specific performance characteristics of the product at the time of ordering.

## Environmental testing of ribbon fiber and fiber fabrics



## Test Ribbon (MTP,SMC) cables in 3 seconds



## Monitor optical sources during burn-in

