

# HPR-Cables

## High Performance Reference Cables

### Overview

#### High Performance Reference Cables

In order to obtain accurate and repeatable results measuring insertion and return loss, the reference connector needs to outperform the connector under test. Reference cables from OptoTest are manufactured with reference ends that are certified to exceed the FOTP171A (A2.2.1) standard.

The HPR series of reference cables are offered with connectors for FC, SC, ST and LC with PC (UPC) or APC polish. The source end meets the standard requirements for PC or APC polish.

Hybrid cables are available where the source end has a different connector than the reference end. For example, an HPR-FP-SA-S refers to a single mode reference cable with a FC/PC connector at the source end and an SC/APC connector at the reference end.

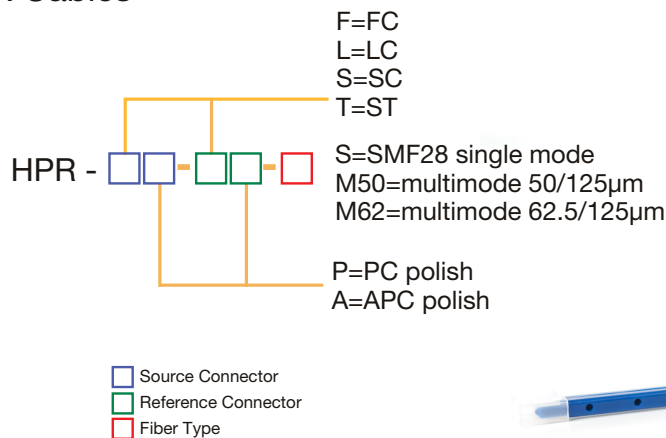
*Note: Standard cable length is 3m. Other lengths available upon request.*



HPR-FA-FP-M62 Performance Reference Cable FC/PC to FC/APC with 62.5/125µm multimode fiber

### Features

#### HPR Cables



Keep your cables clean by using one of our "Clean" Products  
OP Clean, 25 Clean, 125 Clean

# SPECIFICATIONS

HPR Cables	PC	APC
Insertion Loss	<0.15dB	
Return Loss (1300nm and 1550nm)	>55dB single mode >45dB multimode	>70dB single mode >50dB multimode
Radius of curvature	10mm to 25mm	5mm to 12mm
Apex offset	<30um	
Fiber height	0nm to 50nm	
Fiber core position (eccentricity)	<0.6µm	
Standard length	3m: +0.2 / -0.2m	
Custom length	<10m: +0.3m / -0.3m <20m: +0.5m / -0.5m	

Specifications are subject to change, please confirm specific performance characteristics of the product at the time of ordering. All specifications are valid within temperature range of 18°C to 24°C unless otherwise noted. For additional specifications please contact OptoTest.