

# SAVer-Cables

## High Performance Interface SAVer Cables

### Overview

#### High Performance Interface Saver Cables

To accurately and repeatably measure insertion loss and return loss on fiber optic cables, one must have high quality reference cables and instrument interfaces that are clean and free of scratches.

The Optotest Interface SAVer Cables allow you to change reference cables on the fly without concern for damaging the front panel and avoid a very costly repolish or retermination on your equipment.

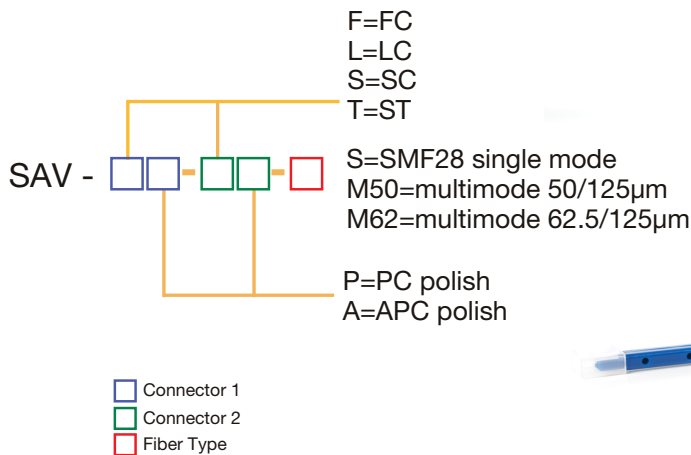
*Note: Standard cable length is 12 inches. Other lengths available upon request.*



SAV-FA-FA-M62 - Performance SAVer Cable - FC/APC to FC/APC

### Features

#### SAVer-Cables



Keep your cables clean by using one of our "Clean" Products  
OP Clean, 25 Clean, 125 Clean

Most common interface saver cable is:  
SAV-FA-FA-S with FC-APC on both ends

\* Use APC when measuring return loss

# SPECIFICATIONS

SAVer Cables	PC	APC
Insertion Loss	<0.20dB	
Return Loss (1310nm and 1550nm)	>55dB singlemode >45dB multimode	>70dB singlemode >50dB multimode
Radius of curvature	5mm to 30mm	5mm to 12mm
Apex offset	<50µm	
Fiber height	0nm to 100nm	
Fiber core position (eccentricity)	<0.6µm	
Standard Length	12 in: +2in / -1in	
Custom Length	<1m: +0.1m / -0.1m <10m: +0.3m / -0.3m	

Specifications are subject to change, please confirm specific performance characteristics of the product at the time of ordering. All specifications are valid within temperature range of 18°C to 24°C unless otherwise noted. For additional specifications please contact OptoTest.